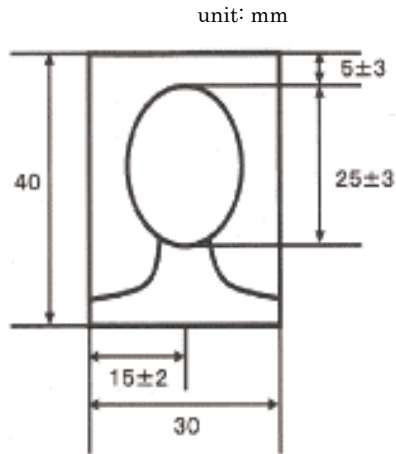


## ID Photograph Requirements

\* Write your name, nationality and the date of birth on the back of the photograph



\* The photo used for Application for Certificate of Eligibility of Residence will also be used for the Resident Card.

\* The photograph should be 4 cm × 3 cm. The size of your head in the photograph must measure 22mm to 28 mm from bottom of chin to crown of head. If your photograph does not meet the requirements shown in the above picture, your application will be rejected.

### Other requirements

1. Look straight into the camera
2. The photo must be taken within the last three months to reflect your current appearance
3. Do not wear a hat or a head covering that obscures the face or hair, unless worn daily for a religious purpose. If you have a religious reason that prohibits you from uncovering your head or hair, please attach a document explaining the reason.
4. No shadows on the background or face.
5. Plain light background
6. Nothing obscuring eyes, nose, or mouth.
7. Good quality prints only. Photographs printed at home may be rejected if the quality is not of a sufficient standard for ID purposes.